

WZSXH CLAMP

HOLLOW ROD CLAMPS

Application:

The Hollow-Rod clamps are applicable for customers with different clamping heights. When using this style of clamp, the use of a locking device is recommended. The locking device prevents accidental changes in clamping height.

Features:

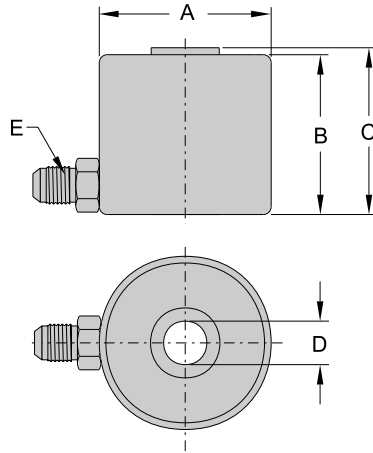
- SAE-ORB porting for reusable, leakproof operation up to 6000 psi
- Application flexibility
- Suitable for retrofitting

To Order:

Note the type of clamp. Specifications are available on the next page.



WZSXH clamp



TYPE	Clamping force @3500psi	Total stroke	Dimensions				Fitting
			'A'	'B'	'C'	'D'	'F'
UNIT	lbs	in	in	in	in	in	
WZSXH40	8800	.32	2.559	2.165	2.688	.635	GFF5X-46
WZSXH70	15400	.32	3.150	2.362	2.875	.760	GFF5X-66
WZSXH100	22000	.47	3.936	2.756	3.75	1.01	GFF5X-66
WZSXH150	33000	.47	4.528	3.622	4.688	1.26	GFF5X-66